

### PREVENT SOIL EROSION/WALL FAILURE

The purpose of the weep holes is to relieve the hydrostatic (water) pressure behind the wall. These weep holes should be maintained periodically to insure that they do not become clogged. Sheet pile seams which have opened up or toe failure of the wall can be an indicator of unrelieved hydrostatic pressure behind the wall. With the additional lateral loading behind the wall from hydrostatic pressure, the tiebacks even when new, and particularly when deteriorated, can fail and the wall can move or collapse. Heavy rains or storm surges can add extreme lateral loads causing wall failures.

We address clients' high-stakes business challenges by developing innovative solutions. These solutions help our clients to increase sales, Acquire profitable customers, gain company viability, and achieve growth for long term success...



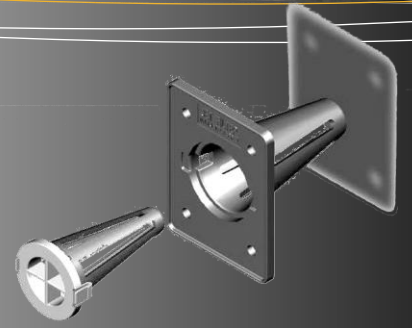
Post Office Box 31  
Casey, Illinois 62420  
United States  
239.825.4508 ph  
217.932.5201 fax  
[www.jetfiltersystem.com](http://www.jetfiltersystem.com)

## Sheet Piling Wick Drainage System

*Engineering Solutions*



The ASTM Steel JET Filter



United States Patent # 7,615,148